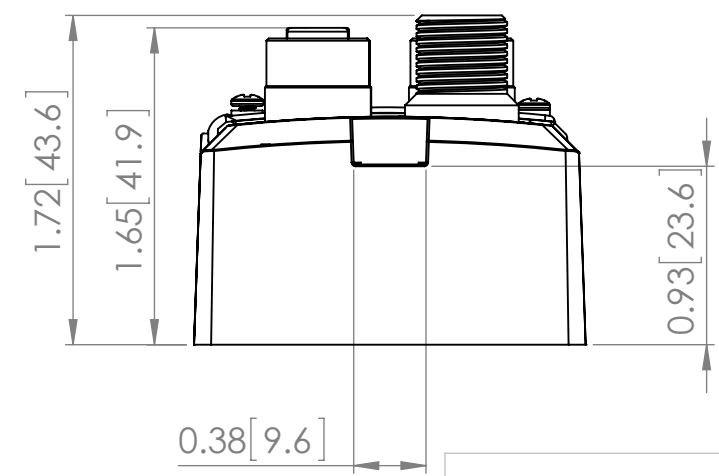
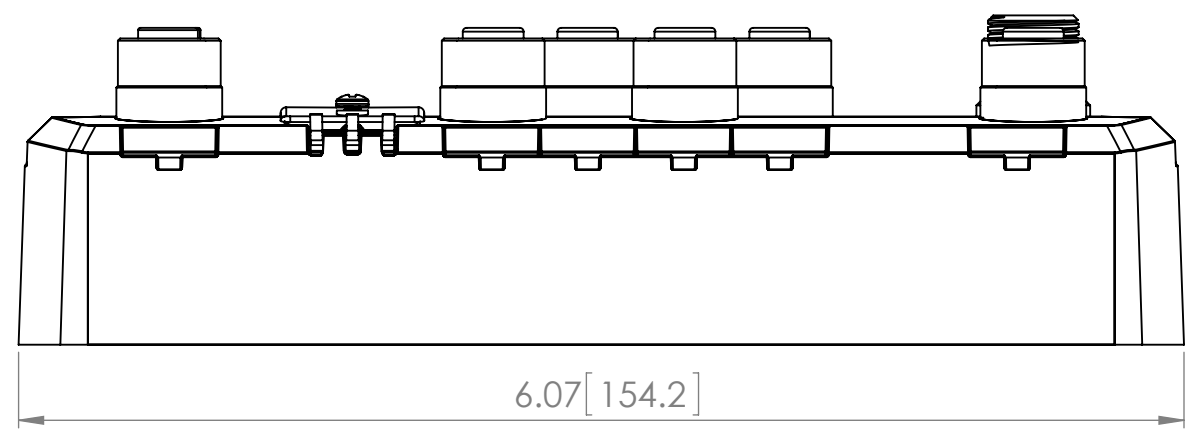
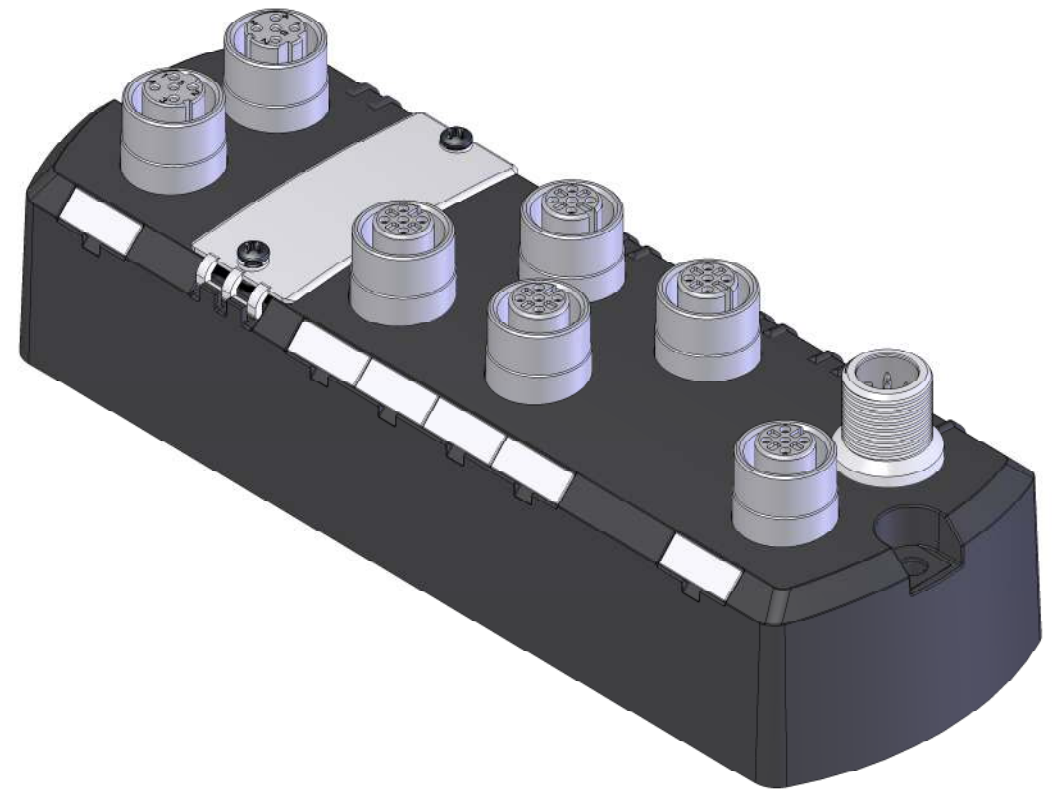
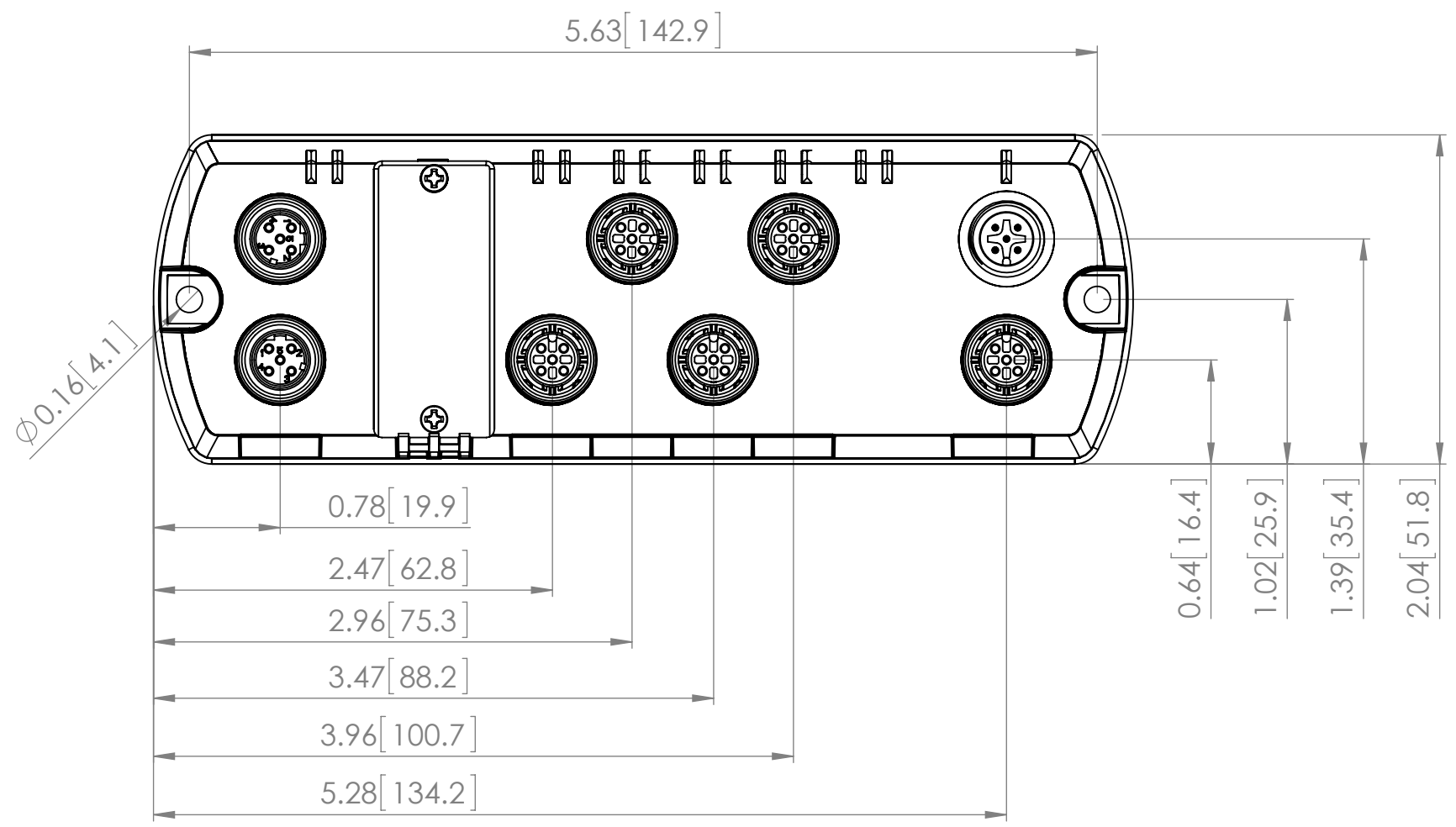


REV.	DESCRIPTION	DATE	DRFT	APR
01	Initial release for review	09/02/14	SJL	



NOTES:
 1. MOUNTING HOLES ARE SIZED FOR 6-32 OR M4 SCREW,

UNLESS OTHERWISE SPECIFIED: DIMENSIONS ARE IN INCHES[MM] TOLERANCES: ANGULAR: ±1 TWO PLACE DECIMAL ±.02 THREE PLACE DECIMAL ±.005		 CONTROL®	
PROPRIETARY AND CONFIDENTIAL THE INFORMATION CONTAINED IN THIS DRAWING IS THE SOLE PROPERTY OF CONTROL CORPORATION. ANY REPRODUCTION IN PART OR AS A WHOLE WITHOUT THE WRITTEN PERMISSION OF CONTROL CORPORATION IS PROHIBITED.			
TITLE:		IO-LINK MASTER, 4-EIP 99570-8	
FILENAME:		IOLM_4-EIP	
DO NOT SCALE DRAWING SCALE: 1:1	SIZE B	BY SJL	DATE 09/03/14
		REV 01	SHEET 1 OF 1